



SWING CHECK VALVE

STANDARD & "SHOTGUN" MODEL RCV

GROOVE/GROOVE

2", 2 1/2", 3" 4" & 6" SIZES

DESCRIPTION AND OPERATION

Globe Model RCV Swing Check Valves feature a swing type clapper designed for use in fire sprinkler or other types of water piping systems that incorporate grooved connecting pipe ends. They are effectively used when it is necessary to permit water flow in one direction only, preventing flow in the reverse direction (non-return). Because the RCV incorporates a spring-loaded clapper assembly, it may be installed in either the vertical or horizontal position. Most commonly, it is used with various configurations of fire department connections for fire sprinkler systems, by-pass connections, gravity pressure tank and, pump discharge in connections from public water supplies to automatic sprinkler systems, etc.

As an alternative to using an alarm check valve with a wet sprinkler system, an RCV Swing Check Valve may be used in a "Shotgun" arrangement whereby the valve is trimmed in a similar manner but utilizes an electric water flow switch and alarm bell instead of a water motor gong for fire notification.

The body of the Globe RCV Swing Check Valve is constructed of high tensile strength cast iron having considerable ductility to reduce damage in field handling. It meets the ASTM A126 Class B rating. The RCV clapper assembly is made of stainless steel and has an E.P.D.M. rubber facing. The RCV incorporates a special stainless steel spring assembly which allows its use in the downward flow direction. It effectively provides a leak tight seal against back pressures greater than one (1) psi.



MODEL RCV SWING CHECK VALVE

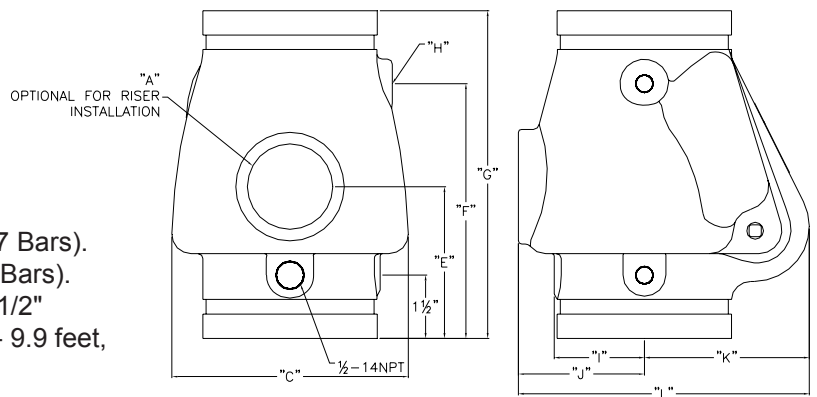
APPROVALS

- cULus Listed
- FM Approved
- NYC - DOB MEA 305-05-E

TECHNICAL DATA

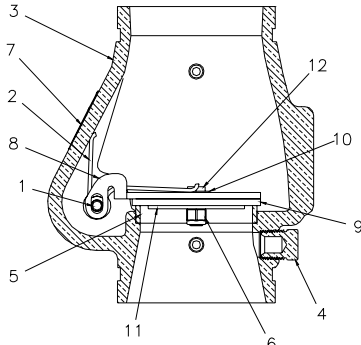
- Water Working Pressure Rating - 300 psi (20.7 Bars).
- Factory tested hydrostatically to 600 psi (41.4 Bars).
- Equivalent feet of pipe: 2" Valve = 7.2 feet, 2 1/2" Valve = 7.2 feet, 3" Valve = 7.2 feet, 4" Valve - 9.9 feet, 6" Valve = 16.1 feet.

PHYSICAL DIMENSIONS



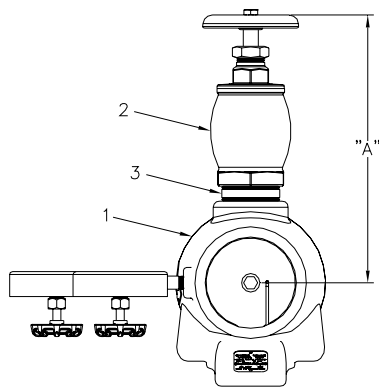
SIZE	A	C	E	F	G	H	I	J	K	L	WEIGHT (lbs.) no trim
2"	1"	4"	3 1/2"	4 1/2"	6 1/2"	1/4"	1 1/2"	2 1/4"	2 1/2"	4 3/4"	4.5
2 1/2"	1 1/4"	4 1/2"	4"	5"	7"	1/4"	1 1/2"	2 1/2"	2 3/4"	5 1/2"	8
3"	1 1/4"	5"	4 1/2"	6"	7 3/4"	1/4"	2"	3"	3 3/4"	6 3/4"	12
4"	2"	6 1/4"	4"	6 1/2"	8 1/2"	1/4"	2 1/2"	3 1/2"	4 1/4"	7 1/2"	17.5
6"	2"	8"	5"	8"	10 1/2"	1/4"	3 1/4"	4 1/4"	5 1/2"	10"	40.5

SWING CHECK VALVE - 2", 2 1/2", 3" 4" & 6" MODEL RCV - STANDARD & "SHOTGUN" GROOVE/GROOVE



CROSS SECTION

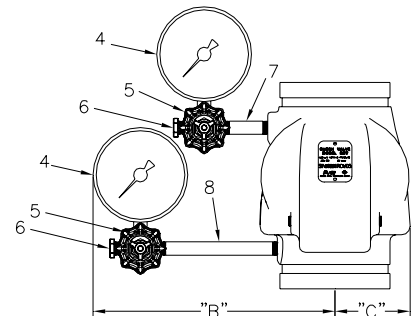
ITEM	DESCRIPTION	MATERIAL	2" P/N	2 1/2" P/N	3" P/N	4" P/N	6" P/N
1	Hinge Pin	Stainless Steel	321521	321528	321535	321541	321549
2	Torsion Spring	Stainless Steel	321523	321531	321531	321545	321554
3	Machined Body	Cast Iron	321501	321503	321505	321507	321509
4	1/2" NPT Plug	Cast Iron	311003	311003	311003	311003	311003
5	Seat Ring	Brass	321522	321530	321537	321543	321551
6	Locknut	Stainless Steel	321556	321556	321556	321556	321556
7	Nameplate	Aluminum	321558	321558	321558	321558	321558
8	Clapper	Stainless Steel	321515	321527	321534	321540	321548
9	Clapper Facing Disc	EPDM	321516	321529	321536	321542	321550
10	Sealing Washer	Hard Fiber	321518	321518	321518	321518	321518
11	Disc Retainer	Stainless Steel	321517	321517	321517	321544	321544
12	Hex Head Bolt	Stainless Steel	321519	321519	321555	321555	321559



TOP VIEW

"SHOTGUN" TRIM ARRANGEMENT

SIZE	A	B	C
2"	10"	8 3/4"	2 1/4"
2 1/2"	11"	9 1/4"	2 1/4"
3"	12"	9 1/2"	2 1/2"
4"	13 1/2"	10"	3 1/4"
6"	14 1/4"	10 3/4"	4"



FRONT VIEW

ITEM	DESCRIPTION	2"	2 1/2"	3"	4"	6"	QTY.
1	RCV	321526	321533	321539	321547	321557	1
2	Angle Valve	311614 (1")	311615 (1 1/4")	311615 (1 1/4")	311617 (2")	311617 (2")	1
3	Close Nipple	310500 (1")	310600 (1 1/4")	310600 (1 1/4")	310800 (2")	310800 (2")	1
4	1/4" Water Gauge	300119	300119	300119	300119	300119	2
5	1/4" 3 Way Valve	311683	311683	311683	311683	311683	2
6	1/4" Plug	311001	311001	311001	311001	311001	2
7	1/4" Nipple	311101 (1 1/2")	311102 (2")	310102 (2")	310103 (2 1/2")	310103 (2 1/2")	1
8	1/4" x 5 1/2" Nipple	310109	310109	310109	310109	310109	1

ORDERING INFORMATION

SPECIFY

- Quantity • Model Number
- Standard or Shotgun style.

GLOBE® PRODUCT WARRANTY

Globe agrees to repair or replace any of its own manufactured products found to be defective in material or workmanship for a period of one year from date of shipment.

For specific details of our warranty please refer to Price List Terms and Conditions of Sale (Our Price List).



4077 AIRPARK DRIVE, STANDISH, MICHIGAN 48658

989-846-4583

FAX 989-846-9231