

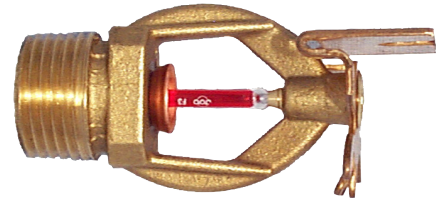


**QUICK RESPONSE
EXTENDED COVERAGE
AUTOMATIC SPRINKLERS
MODEL GL5628
HORIZONTAL SIDEWALL**

DESCRIPTION AND OPERATION

The Globe Quick Response Model GL5628 Extended Coverage Horizontal Sidewall Sprinkler is a low profile yet durable design which utilizes a 3mm frangible glass ampule as the thermosensitive element. This provides sprinkler operation approximately six times faster than ordinary sprinklers. While these Quick Response Sprinklers provide an aesthetically pleasing appearance, they can be installed wherever standard extended coverage horizontal sprinklers are specified; but offer the additional feature of greatly increased safety to life. Quick Response Sprinklers should be used advisedly and under the direction of approving authorities having jurisdiction, in accordance with their listings and in accordance with NFPA 13.

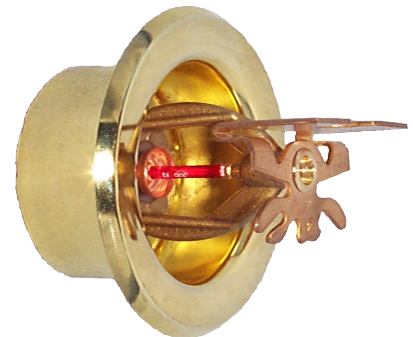
The heart of Globe's Model GL Series sprinkler proven actuating assembly is a hermetically sealed frangible glass ampule that contains a precisely measured amount of fluid. When heat is absorbed, the liquid within the bulb expands increasing the internal pressure. At the prescribed temperature the internal pressure within the ampule exceeds the strength of the glass causing the glass to shatter. This results in water discharge which is distributed in an approved pattern.



**QUICK RESPONSE
EXTENDED COVERAGE
HORIZONTAL SIDEWALL**

TECHNICAL DATA

- See reverse side for Approvals and Specifications.
- Temperature Rating - 135°F (57°C), 155°F (68°C), 175°F (79°C), 200°F (79°C)
- Water Working Pressure Rating - 175 psi (12 Bars)
- Factory tested hydrostatically to 500 psi (34 Bars)
- Maximum low temperature glass bulb rating is -67°F (-55°C)
- Frame - bronze • Deflector - brass • Screw - brass
- Bulb seat - copper • Spring - nickel alloy • Seal - teflon
- Bulb - glass with alcohol based solution, 3mm size
- Escutcheon Assembly - steel



**QUICK RESPONSE
RECESSED
EXTENDED COVERAGE
HORIZONTAL SIDEWALL**

• SPRINKLER TEMPERATURE RATING/CLASSIFICATION and COLOR CODING

| CLASSIFICATION | AVAILABLE SPRINKLER TEMPERATURES | | BULB COLOR | N.F.P.A. MAXIMUM CEILING TEMPERATURE | |
|----------------|----------------------------------|-----------|--------------|--------------------------------------|------|
| | 135°F/155°F | 57°C/68°C | | 100°F | 38°C |
| ORDINARY | 175°F/200°F | 79°C/93°C | ORANGE/RED | 150°F | 66°C |
| INTERMEDIATE | | | YELLOW/GREEN | | |

QUICK RESPONSE
EXTENDED COVERAGE
AUTOMATIC SPRINKLERS
MODEL GL5628
HORIZONTAL SIDEWALL

SPECIFICATIONS

| NOMINAL "K" FACTOR | THREAD SIZE | LENGTH | FINISHES |
|--------------------|-------------|----------------|--|
| 5.6 (80 metric) | 1/2" NPT | 2 1/2"(7.6 cm) | Factory Bronze *Satin Chrome Bright Chrome White Polyester+ Black Polyester+ *Lead Coated |

NOTE: METRIC CONVERSIONS ARE APPROXIMATE.

*FINISHES AVAILABLE ON SPECIAL ORDER.
 +AVAILABLE AS U.L. AND C-U.L. LISTED
 CORROSION RESISTANT WHEN SPECIFIED
 ON ORDER.

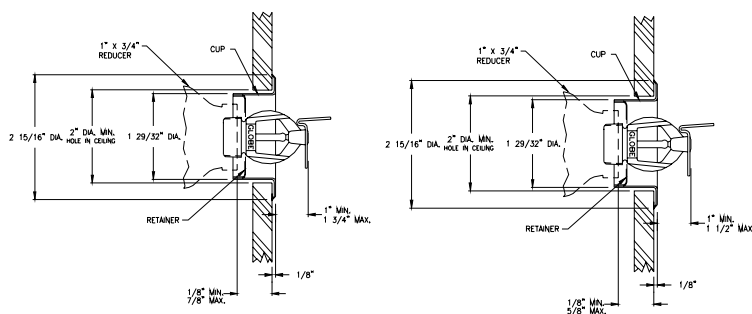
APPROVALS

| STYLE | MODEL NO. | K-FACTOR | 135°F 57°C | 155°F 68°C | 175°F 79°C | 200°F 93°C | cULus | N.Y.C. - D.O.B. MEA 101-92-E |
|----------|-----------|----------|---------------|---------------|---------------|---------------|-------|---------------------------------|
| SIDEWALL | GL5628 | 5.6 | X | X | X | X | X | X |

U.L. LISTING DESIGN - USE REQUIREMENTS FOR LIGHT HAZARDS

| MODEL NO. | STYLE | TEMP. | CEILING TO DEFLECTOR DISTANCE | WIDTH OF COVERAGE | LENGTH OF COVERAGE | MIN. PRESSURE P.S.I. | FLOW IN G.P.M. |
|-----------|---------------------|--|-------------------------------|-------------------|--------------------|----------------------|----------------|
| GL5628 | STANDARD & RECESSED | 135°F / 57°C 155°F / 68°C 175°F / 79°C | 4" TO 12" | 16' | 16' | 21.6 | 26 |
| | | | | 16' | 18' | 26.8 | 29 |
| | | | | 16' | 20' | 32.7 | 32 |
| | | | | 18' | 18' | 32.7 | 32 |
| | STANDARD & RECESSED | 200°F / 93°C | 4" TO 6" | 16' | 16' | 21.6 | 26 |
| | | | | 16' | 18' | 26.8 | 29 |
| | | | | 18' | 18' | 32.7 | 32 |

CROSS SECTIONS



3/4" ADJUSTMENT

1/2" ADJUSTMENT

ORDERING INFORMATION

SPECIFY

- Quantity • Model Number • Style
- Orifice • Temperature • Finishes desired
- Quantity - Standard Wrenches - P/N 325390
- Quantity - Recessed Wrenches - P/N 325391
- Quantity - Protective Caps - P/N 327109-CAP (Friction Fit Recessed)

GLOBE® PRODUCT WARRANTY

Globe agrees to repair or replace any of its own manufactured products found to be defective in material or workmanship for a period of one year from date of shipment.

For specific details of our warranty please refer to Price List Terms and Conditions of Sale (Our Price List).



4077 AIRPARK DRIVE, STANDISH, MICHIGAN 48658
 989-846-4583 FAX 989-846-9231
 1-800-248-0278 www.globesprinkler.com