



Model 8000/8011

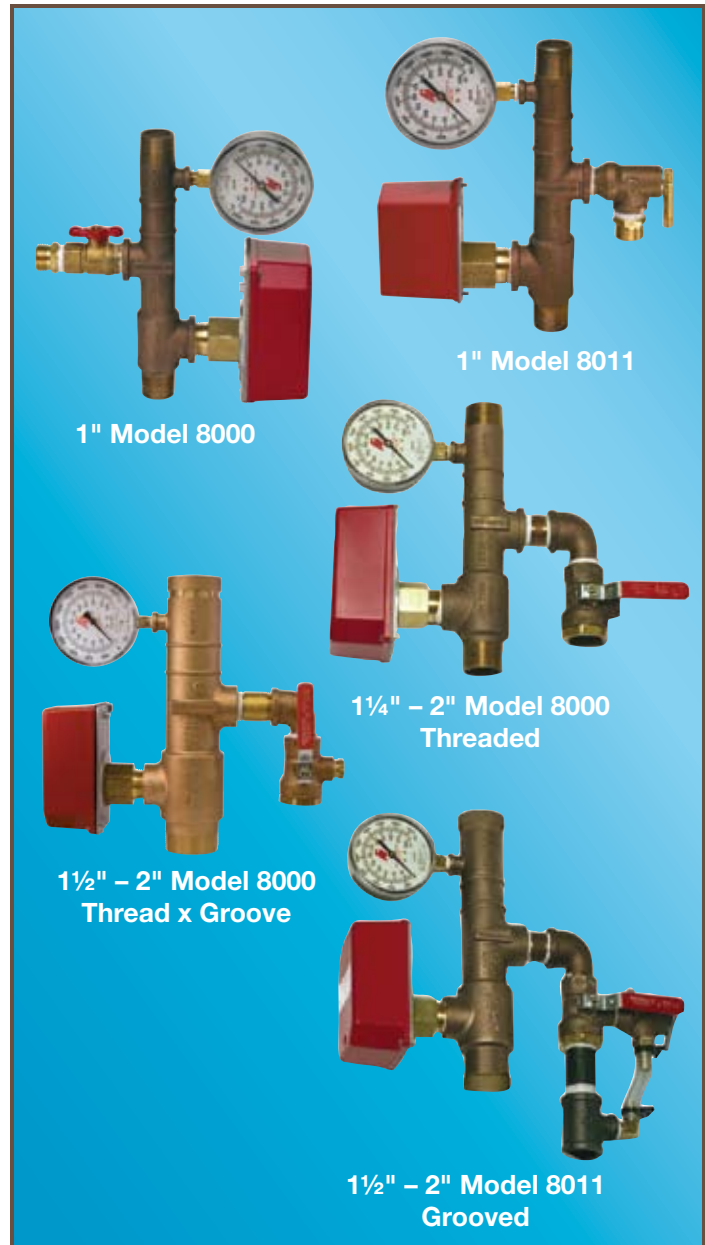
RESIDENTIAL

RISERPACK®

Pre-Assembled TEST_{AND}DRAIN Riser

1" 1¼" 1½" 2"

- The AGF Manufacturing, Inc. **Model 8000/8011 RESIDENTIAL RISERPACK®** is a prepackaged economical riser assembly designed for NFPA 13D/13R residential fire sprinkler systems.
- The **Model 8000/8011** complies with the NFPA 13D/13R requirement regarding testing through a properly sized test orifice. 1" **Model 8000/8011** are available to meet nominal K-factor requirements of 2.8 to 5.6.
- The 1¼", 1½" and 2" **Model 8000/8011** are available with ⅜", 7/16", ½", 17/32", and 5/8" (ELO) orifices to meet K-factors of 2.8 to 11.2.
- Cast and machined of bronze in the **U.S.A.**
- **RISERPACK®** is a one-piece casting, lettered on both sides allowing right or left installation and providing required signage for flow direction, test and drain outlet, and gauge location.
- NPT male threaded ends allow easy connection to popular plastic piping systems and are designed to fit within most standard stud wall framing.
- The 1½" and 2" **RESIDENTIAL RISERPACK®s** are also available with grooved or threaded x grooved ends for use with approved rubber gasketed couplings.
- Includes UL Listed/FM Approved AGF **Model 7500 300-PSI Pressure Gauge**.
- 1" **Model 8000** utilize a ¾" ball valve with patented **TEST_{AND}DRAIN®** orifice specific outlet designed to accept either a standard garden hose or hard piped drain line.
- The 1¼", 1½" and 2" **Model 8000** utilize the UL Listed/FM Approved patented AGF **Model 3011BV INSPECTOR'S TEST®** ball valve.
- Available as the **Model 8011** with UL Listed/ FM Approved **Model 7000 Pressure Relief Valve** (1¼" – 2") or **Model 7200 Pressure Relief Valve** (1") which is designed to provide relief, test, and drain through a single valve.



NOTE: It is important to note that the pressure rating of the relief valve indicates an operating range of pressure for both opening and closing of the valve. Standard relief valves are required to OPEN in a range of pressure between 90% and 105% of their rating. The valves are required to CLOSE at a pressure above 80% of that rating. The relief valve should be installed where it is easily accessible for maintenance. Care should be taken that the relief valve CANNOT be isolated from the system when the system is operational. A relief valve should NEVER have a shutoff valve or a plug downstream of its outlet.

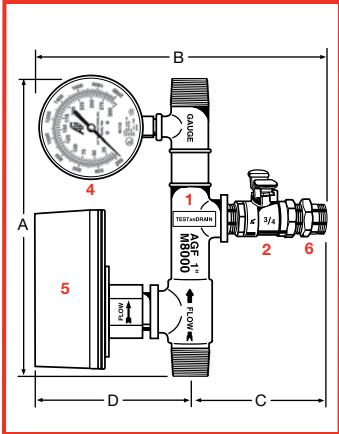
Reliability, Versatility, Code Compatibility



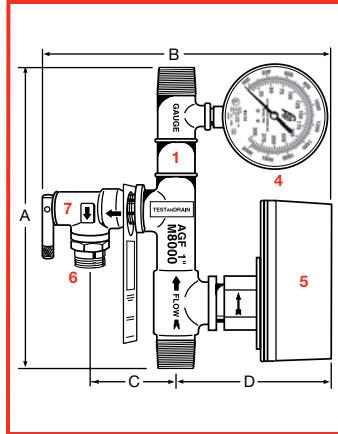
Model 8000/8011

**RESIDENTIAL
RISERPACK®**

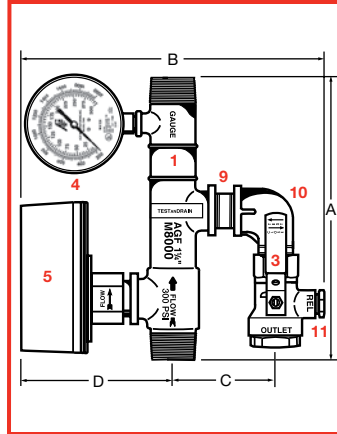
1" MODEL 8000



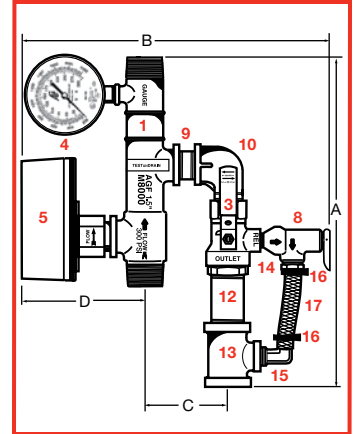
1" MODEL 8011



1 1/4" - 2" MODEL 8000



1 1/4" - 2" MODEL 8011



DIMENSIONS

Model	SIZE	A	B	C	D
Model 8000	1"	10 1/2" (267 mm)	12 1/4" (311 mm)	4 3/4" * (121 mm)	6 1/4" (159 mm)
	1 1/4"	11" (279 mm)	12 1/4" ** (311 mm)	4" (102 mm)	6 1/2" (165 mm)
	1 1/2"	12" (305 mm)	12 1/2" ** (317 mm)	4 1/8" (105 mm)	6 5/8" (168 mm)
	2"	12" (305 mm)	13" (329 mm)	4 3/8" (111 mm)	6 7/8" (174 mm)
Model 8011	1"	10 1/2" (267 mm)	12 1/4" (317 mm)	2 7/8" *** (73 mm)	6 1/4" (159 mm)
	1 1/4"	14 3/4" (375 mm)	15" (381 mm)	4" (102 mm)	6 1/2" (165 mm)
	1 1/2"	15 1/4" (387 mm)	15 1/4" (387 mm)	4 1/8" (105 mm)	6 5/8" (168 mm)
	2"	15 1/4" (387 mm)	15 3/4" (399 mm)	4 3/8" (111 mm)	6 7/8" (174 mm)

* Additional space may be necessary to allow for hard drain fitting if required.

** Valve handle clearance required — add 2".

*** Lift handle clearance required — add 3 1/8".



COMPONENTS

Item No.	Part	Qty.
1	RiserPACK - Bronze Casting	1
2	3/4" Male x Female Ball Valve	1
3	1" M3011 BV INSPECTOR'S TEST Valve	1
4	M7500 Pressure Gauge	1
5	Water Flow Alarm Switch	1
6	3/4" MNPT x 1/2" FNPT Hose Adaptor Orifice	1
7	M7200 3/4" Pressure Relief Valve	1
8	M7000 1/2" Pressure Relief Valve	1
9	1" Brass Nipple	1
10	1" Brass Street Elbow	1
11	1/2" Brass System Access Port Plug	1
12	1" Relief Valve Bypass Nipple	1
13	1" Relief Valve Bypass Tee	1
14	1/2" NPT x-Barb Straight Fitting	1
15	1/2" NPT x-Barb Elbow Fitting	1
16	Clamps	2
17	Nylobraid Relief Valve Drain Tubing	1

USA Patent and Other Patents Pending



AGF Manufacturing Inc.
 100 Quaker Lane, Malvern, PA 19355
 Phone: 610-240-4900
 Fax: 610-240-4906
 www.testandrain.com

Job Name: _____

Architect: _____

Engineer: _____

Contractor: _____