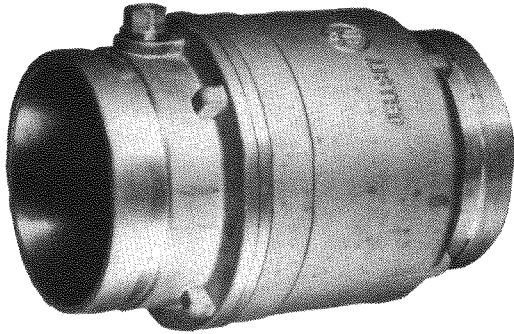


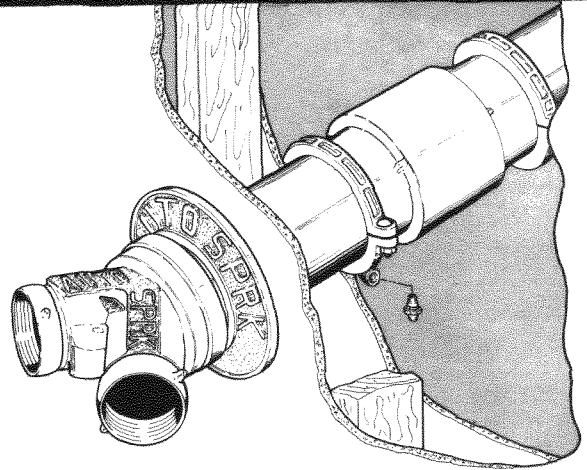


# SWING CHECK VALVE



(Giacomini A140G)

Fig. No. 4510 4" GROOVED



TYPICAL INSTALLATION

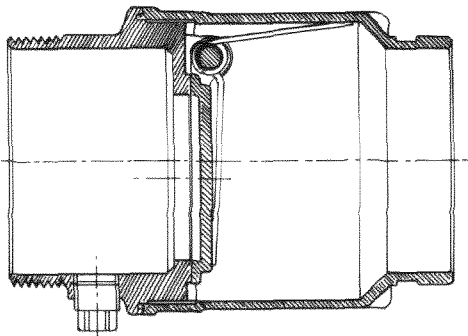


Fig. No. 4515 4" Male x Grooved

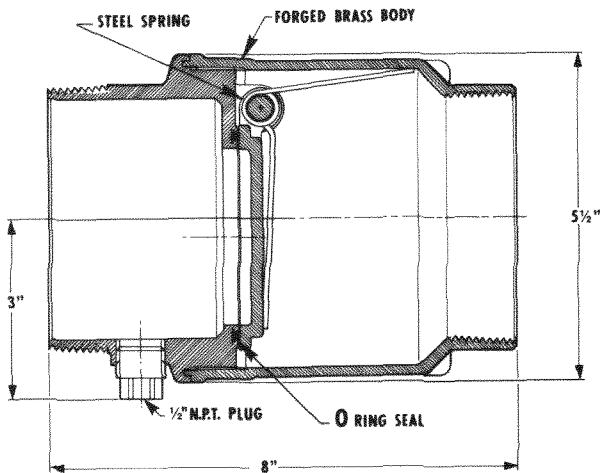


Fig. No. 4520 4" Male x Female

## SWING CHECK VALVE

**REGULARLY FURNISHED:** 4" Forged body with spring loaded brass check, body tapped 1/2" N.P.T. at inlet for ball drip.

**FUNCTION:** Used to permit flow only in designated direction and prevent backflow. Type of installation as selected by figure number.

### Type of Installation

Fig. No.	Size	Inlet	Outlet
4510	4"	Grooved	Grooved
4515	4"	M-N.P.T.	Grooved
4520	4"	M-N.P.T.	F-N.P.T.

DIMENSIONS ARE SUBJECT TO MANUFACTURERS TOLERANCE AND CHANGE WITHOUT NOTICE. WE ASSUME NO RESPONSIBILITY FOR USE OF SUPERSEDED OR VOID DATA.

DATE  
9-93

FIGURE NUMBER

**4510 - 4520**